

Flange Screw SCR FLA HCP

Group: 1875

Application

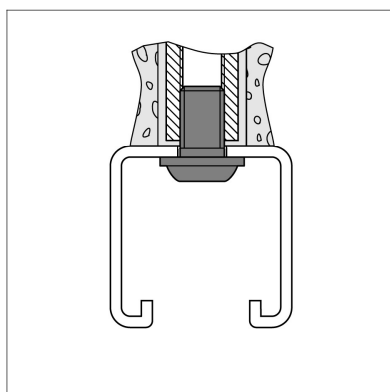
Type M10 x 15 allows fixation of Channels by means of Drive Plug AN, without exceeding the max. permissible screw-in depth or to go under the min. screw-in depth required.

Type M10 x 25 is the ideal connecting part for two Sikla Channels MS 41.

Versions "TT" are self-forming screws.

Installation

The maximum admissible tightening torque strictly has to be observed.



Technical Data

M10 x 15 and M10 x 25

max. adm. tightening torque: 50 Nm (max. adm.)
Drive: Internal hexagon SW 6

TT M10 x 25 and TT M10 x 30

max. adm. tightening torque: 20 Nm (max. adm.)
Drive: Torx-T50
Material: Steel, HCP

Type	Length [mm]	W [kg]	Quantity [pack]	Part number
M10 x 15	15	0.01	100	199107
M10 x 25	25	0.02	100	198353
TT M10 x 25	25	0.02	600	110503

