

End Clip PV 1-E

Group: E314

Application

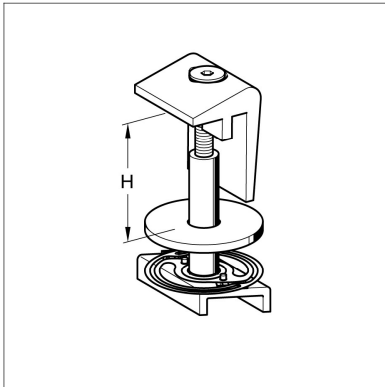
Edge fastening and assembly block for all typical framed Photovoltaic panels to be used with high loads caused by wind suction. Suits panel thicknesses of 35 - 50 mm for any angle. Bimetal corrosion resistance, by using seal-coating on the support (washer and sleeve). Clamping forces applied at outer edge of panel to prevent undue tensioning of glass.

Scope of delivery

Fully assembled unit comprising Speed Nut, Support and Clip.

Installation

Insert Speed Nut into the open channel slot at any position required. Adjust the clip to the panel and tighten it with max. 10 Nm.



Technical Data

adm. shear force 90° to panel surface: 0.5 kN/clip

adm. tensile load: 3.2 kN/clip

Material:

Clip: Aluminium

Screw: Stainless steel 304

Stud bolt, Washer and Speed Nut: HCP

Type	Panel thickness [mm]	W [kg]	Quantity [pack]	Part number
PV 1-E	35 - 50	0.11	50	199503