

### Cable Holder KHP

Group: E100

#### Application

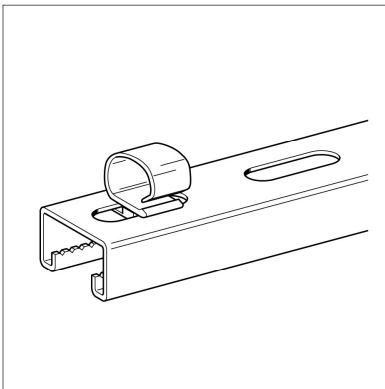
Clip for connecting cables up to a diameter of 16mm to PV mounting systems. Suitable to slot into the back of all Channels MS 41 with min. profile thickness of 2mm.

#### Installation

The cable holder is locked by a simple 90 degree right turn in the elongated holes of the mounting rail.

#### Technical Data

Material: PA, nature



| Type | W<br>[kg] | Quantity<br>[pack] | Part<br>number |
|------|-----------|--------------------|----------------|
| KHP  | 0.01      | 500                | <b>110879</b>  |

